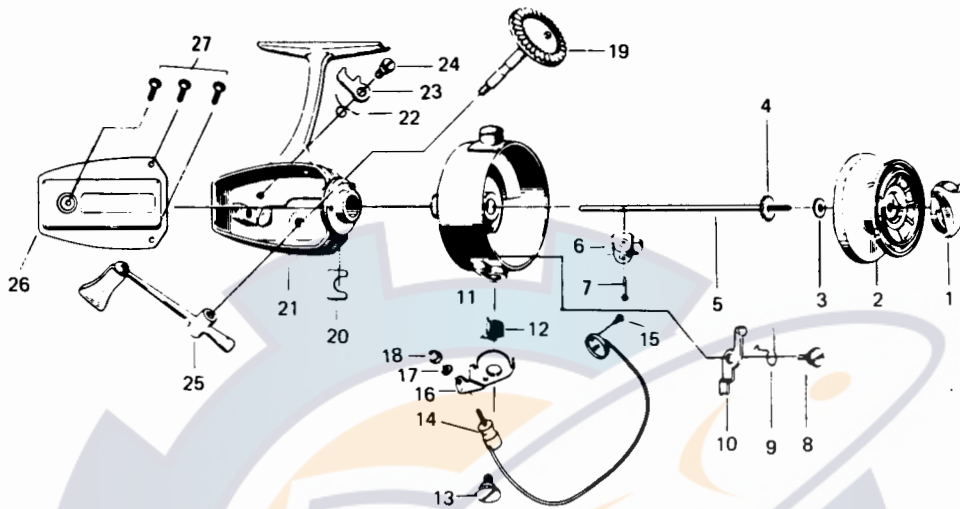




SPINNING REEL

7290D

LINE CAPACITY: 250 YDS., 8 LB. TEST (250m Dia. 0.27mm)

Key No.	Parts No.	Parts Name	Key No.	Parts No.	Parts Name
1	64413501	Drag knob	15	63517001	Bail holder screw
2	67308101	Spool assembly	16	62307011	Arm lever
3	63746402	Spool washer	17	61600121	Bail washer
4	62706501	Click gear	18	63419901	Bail nut
5	63927801	Main shaft	19	64129101	Drive gear
6	64810201	Oscillating slider	20	63725801	Pinion retaining washer
7	61216301	Oscillating slider pin	21	67003801	Body
8	63611512	Bail kick lever screw	22	61411581	Anti-reverse claw spring
9	61406231	Bail kick lever spring	23	61113101	Anti-reverse claw
10	65709501	Bail kick lever	24	63522501	Anti-reverse claw screw
11	67352701	Rotor	25	67457601	Handle
12	61409231	Bail spring	26	67055601	Body cover
13	63631301	Arm lever screw	27	63520401	Body cover screw
14	67254001	Bail			

DarwaPage
35Date
12-75Rev. No.
00